

AJBEW Cast Junction Boxes

Explosionproof, Dust-Ignitionproof

NEC/CEC:

Class I, Division 1 and 2, Groups B \diamond , C \diamond , D
 Class I, Zone 1 and 2, Groups IIA, IIB \diamond +H \diamond \diamond
 Class II, Division 1 and 2, Groups E, F, G
 Class III
 IP66

NEC/CEC:

NEMA 4, 7B \diamond C \diamond D, 9EFG

ATEX/IECEX:

Zone 1 and 2 – 21 and 22
 Ⓜ II 2 GD
 IP66 – IK10

Application

- Explosionproof junction boxes are used where hazardous materials are handled or stored. These enclosures may be used for:
 - Terminals
 - Splicing wires
 - Pull boxes
 - Bus boxes

Features

- Precision machined flame path between box and cover.
- Bolt on stainless steel slotted mounting feet for horizontal or vertical mounting.
- Flexible hinge mounting either left or right side is standard on all boxes 12 x 12 x 06 and larger.
- External flange maximizes internal space.
- Wall thickness suitable for minimum of five full threads.
- Provision for mounting pan.
- Wide range of drilled and tapped outlets.
- Ground lug package and installation instructions for termination of ground wires enclosed.
- O-ring gasket insures watertight integrity.

Standard Materials

- Bodies and covers: sand cast copperfree (4/10 of 1% max.) aluminum
- Cover bolts: stainless steel
- O-ring: neoprene
- Hinges: stainless steel
- Mounting pan: galvanized steel

Standard Finishes

- Bodies and covers: shot blast finish standard

Options

- Custom drilling and tapping.
- Set of 4 standoffs 12.7 mm (0.50") high. For factory-installed option add suffix **-AB**.
- Breather, NEMA 4X (includes outlets and installation). For factory-installed option add suffix **-BR**, for field-installed option order catalog number **BRTB4X**.
- Drain, NEMA 4X (includes outlets and installation). For factory-installed option add suffix **-DN** for field-installed option order catalog number **ECD50B4X**.
- Desiccate package. For factory-installed option add suffix **-DP1**, for field-installed option order catalog number **AWG13/1CT**.
- External grounding stud 3/8"-16. For factory-installed option add suffix **-EGS**.
- Gray epoxy powder coat (outside). For factory-installed option add suffix **-G1**.
- Gray epoxy powder coat available to provide NEMA 4X rating (inside and outside). For factory-installed option add suffix **-G2**.
- Internal Ground Stud, #14 - #2. For factory-installed option add suffix **-GNDKIT**.
- Hinges: stainless steel hinge available for boxes up to 11 x 30 x 03. For factory-installed option add suffix **-H**.
- Hinge Kit, 2 light duty SS hinges. For field-installed option order catalog number **AHOF12SS**.
- Hinge Kit, 2 heavy duty SS hinges. For field-installed option order catalog number **AHOF22SS**.



- Hinge Kit, 3 heavy duty SS hinges. For field-installed option order catalog number **AHOF23SS**.
- Terminal blocks 600 Volt, 30 Amp Indicate number of points: example: 5 points = 5K. For factory-installed option add suffix **-K**.
- Plastic nameplate, 50.8 x 101.6 mm (2.00 x 4.00"), 3.3 mm (13") black letters on white surface, 3 lines max, specify legend. For factory-installed option add suffix **-NP**.
- SS captive Quad-Lead bolts. For factory-installed option add suffix **-Q**.
- ATEX complete product certification add suffix **-X**.
- ATEX U component certification add suffix **-XU**.
- Mounting pan. For factory-installed option add suffix **-Z**.

NEC/CEC Certifications and Compliances

- UL Standard: UL 886 (UL 1203)
- UL Listed: E85310
- CSA Standard: C22.2 No. 25, C22.2 No.30
- CSA Certified: 042129

ATEX/IECEX Certifications and Compliances

- Certification Type JBEW
 - Gas, Zones 1 and 2
 - Conforming to ATEX 94/9/CE: Ⓜ II 2 G
 - Type of Protection: Ex d IIB + H \diamond GB
 - Dust, Zones 21 and 22
 - Conforming to ATEX 94/9/CE: Ⓜ II 2 D
 - Type of Protection: Ex t Db
- Ambient Temperature: -40 °C to +55 °C (-40 °F to +131 °F)
- CE Declaration of Conformity: 5C239
- ATEX Certificate: LCIE 07 ATEX 6069X
- IECEX Certificate: IECEX LCI 07.0018X
- Internal Volume: > 2dm 3 (122 in 3) — 2 liters
- Index of Protection according EN/IEC 60529: IP66
- Impact Resistance (shock): IK10

EURASEC Certification

- Certification Type JBEW
 - EURASEC N $^{\circ}$ TC RU C-FR.1605.B.00911

\diamond For Groups B and C, all conduits must be sealed within 50.8 mm (2") of the enclosure.

AJBEW Cast Junction Boxes

Explosionproof, Dust-Ignitionproof

NEC/CEC:

Class I, Division 1 and 2, Groups B \diamond , C \diamond , D
 Class I, Zone 1 and 2, Groups IIA, IIB \diamond +H \diamond \diamond
 Class II, Division 1 and 2, Groups E, F, G
 Class III
 IP66

NEC/CEC:

NEMA 4, 7B \diamond C \diamond D, 9EFG

ATEX/IECEX:

Zone 1 and 2 – 21 and 22
 Ex II 2 GD
 IP66 – IK10

Overall Dimensions			Dimensions in Millimeters (Inches)										Max. Conduit Size	Ship Weight	Mounting Hardware	Catalog Number
F	E	G	Mounting Dimensions			Inside Dimensions							Inches	kg (lb)	Catalog Number	Number
			A	AA	B	BB	W	H	Db	Dc	K					
181.1 (7.13)	231.9 (9.13)	155.7 (6.13)	N/A	171.5 (6.75)	N/A	54.1 (2.13)	101.6 (4.00)	152.4 (6.00)	95.3 (3.75)	19.1 (0.75)	63.5 (2.50)	1-1/2	9.1 (20)	AMH2	AJBEW040604	
227.1 (8.94)	342.9 (13.50)	155.7 (6.13)	101.6 (4.00)	N/A	279.4 (11.00)	N/A	128.5 (5.06)	241.3 (9.50)	88.9 (3.50)	28.7 (1.13)	50.8 (2.00)	1-1/2	9.1 (20)	AMH2	AJBEW050903	
244.6 (9.63)	237.0 (9.33)	158.8 (6.25)	N/A	222.3 (8.75)	N/A	308.1 (12.13)	152.4 (6.00)	152.4 (6.00)	101.6 (4.00)	19.1 (0.75)	60.5 (2.38)	2	9.1 (20)	AMH2	AJBEW060604	
264.2 (10.40)	315.0 (12.40)	165.1 (6.50)	114.3 (4.50)	231.9 (9.13)	268.2 (10.56)	114.3 (4.50)	152.4 (6.00)	203.2 (8.00)	95.3 (3.75)	19.1 (0.75)	63.5 (2.50)	2	9.1 (20)	AMH2	AJBEW060804	
264.2 (10.40)	317.5 (12.50)	206.5 (8.13)	N/A	238.3 (9.38)	N/A	114.3 (4.50)	152.4 (6.00)	203.2 (8.00)	146.1 (5.75)	19.1 (0.75)	60.5 (2.38)	2	9.1 (20)	AMH2	AJBEW060806	
270.0 (10.63)	387.4 (15.25)	171.5 (6.75)	139.7 (5.50)	N/A	333.5 (13.13)	N/A	155.7 (6.13)	273.1 (10.75)	96.8 (3.81)	36.6 (1.44)	50.8 (2.00)	2	12.2 (27)	AMH2	AJBEW061004	
270.0 (10.63)	421.6 (16.60)	162.1 (6.38)	N/A	231.9 (9.13)	N/A	215.9 (8.50)	155.7 (6.13)	308.1 (12.13)	103.1 (4.06)	25.4 (1.00)	57.2 (2.25)	2	11.3 (25)	AMH2	AJBEW061204	
279.4 (11.00)	520.7 (20.50)	174.8 (6.88)	152.4 (6.00)	N/A	457.2 (18.00)	N/A	165.1 (6.50)	406.4 (16.00)	104.9 (4.13)	35.1 (1.38)	58.7 (2.31)	2	14.5 (32)	AMH2	AJBEW061604	
311.2 (12.25)	403.4 (15.88)	254.0 (10.00)	162.1 (6.38)	N/A	342.9 (13.50)	N/A	187.5 (7.38)	289.1 (11.38)	149.4 (5.88)	63.5 (2.50)	85.9 (3.38)	2	15.9 (35)	AMH2	AJBEW071106	
311.2 (12.25)	311.2 (12.25)	209.6 (8.25)	114.3 (4.50)	273.1 (10.75)	273.1 (10.75)	114.3 (4.50)	203.2 (8.00)	203.2 (8.00)	146.1 (5.75)	19.1 (0.75)	82.6 (3.25)	2	13.6 (30)	AMH2	AJBEW080806	
317.5 (12.50)	368.3 (14.50)	215.9 (8.50)	177.8 (7.00)	273.1 (10.75)	317.5 (12.50)	165.1 (6.50)	203.2 (8.00)	254.0 (10.00)	146.1 (5.75)	19.1 (0.75)	88.9 (3.50)	2	16.3 (36)	AMH2	AJBEW081006	
317.5 (12.50)	443.0 (17.44)	263.7 (10.38)	N/A	254 (10.00)	N/A	215.9 (8.50)	203.2 (8.00)	331.7 (13.06)	88.9 (3.50)	88.9 (3.50)	69.9 (2.75)	2	13.6 (30)	AMH2	AJBEW081307	
352.6 (13.88)	393.7 (15.50)	220.7 (8.69)	184.2 (7.25)	300.2 (11.82)	333.5 (13.13)	217.4 (8.56)	238.3 (9.00)	282.7 (11.13)	122.2 (4.81)	47.8 (1.88)	82.6 (3.25)	2	10.0 (22)	AMH2	AJBEW091105	
362.0 (14.25)	519.2 (20.44)	215.9 (8.50)	184.2 (7.25)	300.0 (11.81)	454.2 (17.88)	338.1 (13.31)	241.3 (9.50)	395.2 (15.56)	120.7 (4.75)	44.5 (1.75)	76.2 (3.00)	2	15.0 (33)	AMH2	AJBEW091504	
376.2 (14.81)	376.2 (14.81)	231.9 (9.13)	165.1 (6.50)	273.8 (10.78)	330.2 (13.00)	114.3 (4.50)	260.4 (10.25)	260.4 (10.25)	146.1 (5.75)	38.1 (1.50)	85.9 (3.38)	2	20.00 (44)	AMH2	AJBEW101006	
368.3 (14.50)	469.9 (18.50)	214.4 (8.44)	177.8 (7.00)	330.2 (13.00)	422.4 (16.63)	270 (10.63)	254.0 (10.00)	355.6 (14.00)	149.4 (5.88)	19.1 (0.75)	79.5 (3.13)	2	24.9 (55)	AMH4	AJBEW101406	
368.3 (14.50)	469.9 (18.50)	244.6 (9.63)	N/A	330.2 (13.00)	N/A	270 (10.63)	254.0 (10.00)	355.6 (14.00)	196.9 (7.75)	19.1 (0.75)	112.8 (4.44)	4	27.2 (60)	AMH2	AJBEW101408	
416.1 (16.38)	638.3 (25.13)	190.5 (7.50)	260.4 (10.25)	368.3 (14.50)	574.8 (22.63)	428.8 (16.88)	289.1 (11.38)	508.0 (20.00)	124.0 (4.88)	38.1 (1.50)	88.9 (3.50)	3	38.6 (85)	AMH2	AJBEW112005	
400.1 (15.75)	746.3 (29.38)	258.8 (10.19)	215.9 (8.50)	358.9 (14.13)	689.1 (27.13)	508 (20.00)	273.1 (10.75)	619.3 (24.38)	152.4 (6.00)	41.4 (1.63)	101.6 (4.00)	3	32.7 (72)	AMH8	AJBEW112406	

\diamond For Groups B and C, all conduits must be sealed within 50.8 mm (2") of the enclosure.

Appleton

ENCLOSURES AND JUNCTION BOXES: NEC/CEC, ATEX/IECEX INCREASED SAFETY JUNCTION BOXES

AJBEW Cast Junction Boxes

Explosionproof, Dust-Ignitionproof

NEC/CEC:

Class I, Division 1 and 2, Groups B \diamond , C \diamond , D
 Class I, Zone 1 and 2, Groups IIA, IIB \diamond +H \diamond \diamond
 Class II, Division 1 and 2, Groups E, F, G
 Class III
 IP66

NEC/CEC:

NEMA 4, 7B \diamond C \diamond D, 9EFG

ATEX/IECEX:

Zone 1 and 2 – 21 and 22
 Ex II 2 GD
 IP66 – IK10

Overall Dimensions			Dimensions in Millimeters (Inches)									Max. Conduit Size Inches	Ship Weight kg (lb)	Mounting Hardware	
F	E	G	Mounting Dimensions			Inside Dimensions								Catalog Number	Catalog Number
			A	AA	B	BB	W	H	Db	Dc	K				
416.1 (16.38)	889.0 (35.00)	260.4 (10.25)	241.3 (9.50)	384.3 (15.13)	835.2 (32.88)	692.2 (27.25)	285.8 (11.25)	759.0 (29.88)	157.2 (6.19)	47.8 (1.88)	106.4 (4.19)	3	51.3 (113)	AMH8	AJBEW113006
441.5 (17.38)	441.5 (17.38)	235 (9.25)	219.2 (8.63)	397.0 (15.63)	397.0 (15.63)	219.2 (8.63)	311.2 (12.25)	311.2 (12.25)	146.1 (5.75)	38.1 (1.50)	95.3 (3.75)	3	29.5 (65)	AMH8	AJBEW121206
441.5 (17.38)	441.5 (17.38)	292.1 (11.50)	219.2 (8.63)	397.0 (15.63)	397.0 (15.63)	219.2 (8.63)	311.2 (12.25)	311.2 (12.25)	196.9 (7.75)	38.1 (1.50)	120.7 (4.75)	3	31.8 (70)	AMH8	AJBEW121208
431.8 (17.00)	584.2 (23.00)	231.9 (9.13)	177.8 (7.00)	400.1 (15.75)	533.4 (21.00)	358.9 (14.13)	311.2 (12.25)	463.6 (18.25)	146.1 (5.75)	38.1 (1.50)	88.9 (3.50)	4	40.8 (90)	AMH5	AJBEW121806
431.8 (17.00)	584.2 (23.00)	282.7 (11.13)	177.8 (7.00)	400.1 (15.75)	533.4 (21.00)	358.9 (14.13)	311.2 (12.25)	463.6 (18.25)	222.3 (8.75)	38.1 (1.50)	108.0 (4.25)	4	45.8 (101)	AMH5	AJBEW121808
425.5 (16.75)	730.3 (28.75)	282.7 (11.13)	N/A	400.1 (15.75)	N/A	466.9 (18.38)	304.8 (12.00)	609.6 (24.00)	196.9 (7.75)	25.4 (1.00)	108.0 (4.25)	4	62.6 (138)	AMH4	AJBEW122408
425.5 (16.75)	1035.1 (40.75)	301.8 (11.88)	N/A	400.1 (15.75)	N/A	736.6 (29.00)	304.8 (12.00)	914.4 (36.00)	196.9 (7.75)	38.1 (1.50)	115.8 (4.56)	4	98.9 (218)	AMH5	AJBEW123608
457.2 (18.00)	1079.5 (42.50)	265.2 (10.44)	409.7 (16.13)	301.8 (11.88)	1035.1 (40.75)	857.3 (33.75)	346.2 (13.63)	962.2 (37.88)	155.7 (6.13)	38.1 (1.50)	109.5 (4.31)	3-1/2	86.2 (190)	AMH8	AJBEW133806
492.3 (19.38)	492.3 (19.38)	242.8 (9.56)	247.7 (9.75)	450.9 (17.75)	450.9 (17.75)	247.7 (9.75)	374.7 (14.75)	374.7 (14.75)	146.1 (5.75)	35.1 (1.38)	98.6 (3.88)	3-1/2	44.5 (98)	AMH8	AJBEW141406
492.3 (19.38)	492.3 (19.38)	293.6 (11.56)	247.7 (9.75)	450.9 (17.75)	450.9 (17.75)	247.7 (9.75)	374.7 (14.75)	374.7 (14.75)	196.9 (7.75)	35.1 (1.38)	101.6 (4.00)	3	47.6 (105)	AMH8	AJBEW141408
498.6 (19.63)	736.6 (29.00)	304.8 (12.00)	333.5 (13.13)	N/A	698.5 (27.50)	N/A	378 (14.88)	616.0 (24.25)	203.2 (8.00)	38.1 (1.50)	101.6 (4.00)	4	59.4 (131)	AMH6	AJBEW142408
539.8 (21.25)	1092.2 (43.00)	306.3 (12.06)	349.3 (13.75)	508.0 (20.00)	1057.4 (41.63)	812.8 (32.00)	397 (15.63)	946.2 (37.25)	189.0 (7.44)	38.1 (1.50)	133.4 (5.25)	4	113.4 (250)	AMH8	AJBEW153707
533.4 (21.00)	533.4 (21.00)	249.2 (9.81)	279.4 (11.00)	501.7 (19.75)	501.7 (19.75)	279.4 (11.00)	419.1 (16.50)	419.1 (16.50)	146.1 (5.75)	38.1 (1.50)	98.6 (3.88)	3-1/2	59.9 (132)	AMH8	AJBEW161606
533.4 (21.00)	533.4 (21.00)	314.7 (12.39)	279.4 (11.00)	501.7 (19.75)	501.7 (19.75)	279.4 (11.00)	419.1 (16.50)	419.1 (16.50)	212.9 (8.38)	38.1 (1.50)	124.0 (4.88)	4	63.5 (140)	AMH8	AJBEW161608
543.1 (21.38)	593.9 (23.38)	382.5 (15.06)	304.8 (12.00)	482.6 (19.00)	533.4 (21.00)	355.6 (14.00)	412.8 (16.25)	463.6 (18.25)	301.8 (11.88)	9.7 (0.38)	177.8 (7.00)	4	68.0 (150)	AMH8	AJBEW161812
546.1 (21.50)	693.7 (27.31)	230.1 (9.06)	330.2 (13.00)	505.0 (19.88)	641.4 (25.25)	393.7 (15.50)	417.6 (16.44)	571.5 (22.50)	146.1 (5.75)	31.8 (1.25)	84.1 (3.31)	3	59.0 (130)	AMH8	AJBEW162206
533.4 (21.00)	711.2 (28.00)	308.1 (12.13)	N/A	501.7 (19.75)	N/A	466.9 (18.38)	412.8 (16.25)	616.0 (24.25)	209.6 (8.25)	38.1 (1.50)	134.9 (5.31)	4	81.6 (180)	AMH6	AJBEW162408
527.1 (20.75)	831.9 (32.75)	219.2 (8.63)	330.2 (13.00)	N/A	781.1 (30.75)	N/A	412.8 (16.25)	717.6 (28.25)	146.1 (5.75)	38.1 (1.50)	79.5 (3.13)	3	68.0 (150)	AMH5	AJBEW162806
593.9 (23.38)	593.9 (23.38)	252.5 (9.94)	330.2 (13.00)	552.5 (21.75)	552.5 (21.75)	330.2 (13.00)	463.6 (18.25)	463.6 (18.25)	146.1 (5.75)	38.1 (1.50)	104.9 (4.13)	3-1/2	85.3 (188)	AMH8	AJBEW181806

\diamond For Groups B and C, all conduits must be sealed within 50.8 mm (2") of the enclosure.

AJBEW Cast Junction Boxes

Explosionproof, Dust-Ignitionproof

NEC/CEC:

Class I, Division 1 and 2, Groups B \diamond , C \diamond , D
 Class I, Zone 1 and 2, Groups IIA, IIB \diamond +H \diamond \diamond
 Class II, Division 1 and 2, Groups E, F, G
 Class III
 IP66

NEC/CEC:

NEMA 4, 7B \diamond C \diamond D, 9EFG

ATEX/IECEX:

Zone 1 and 2 – 21 and 22
 Ex II 2 GD
 IP66 – IK10

Overall Dimensions			Dimensions in Millimeters (Inches)									Max. Conduit Size Inches	Ship Weight kg (lb)	Mounting Hardware Catalog Number	Catalog Number
F	E	G	Mounting Dimensions			Inside Dimensions									
			A	AA	B	BB	W	H	Db	Dc	K				
593.9 (23.38)	593.9 (23.38)	303.3 (11.94)	330.2 (13.00)	552.5 (21.75)	552.5 (21.75)	330.2 (13.00)	463.6 (18.25)	463.6 (18.25)	196.9 (7.75)	38.1 (1.50)	114.3 (4.50)	4	89.8 (198)	AMH8	AJBEW181808
608.1 (23.94)	762.0 (30.00)	309.4 (12.18)	409.7 (16.13)	552.5 (21.75)	704.9 (27.75)	466.9 (18.38)	463.6 (18.25)	614.4 (24.19)	196.9 (7.75)	38.1 (1.50)	128.5 (5.06)	4	101.6 (224)	AMH8	AJBEW182408
608.1 (23.94)	762.0 (30.00)	360.2 (14.18)	409.7 (16.13)	552.5 (21.75)	704.9 (27.75)	466.9 (18.38)	463.6 (18.25)	614.4 (24.19)	247.7 (9.75)	38.1 (1.50)	146.1 (5.75)	4	106.6 (235)	AMH8	AJBEW182410
574.8 (22.63)	879.6 (34.63)	308.1 (12.13)	N/A	552.5 (21.75)	N/A	584.2 (23.00)	463.6 (18.25)	768.4 (30.25)	196.9 (7.75)	38.1 (1.50)	120.7 (4.75)	4	120.2 (265)	AMH5	AJBEW183008
596.9 (23.50)	1060.5 (41.75)	312.7 (12.31)	279.4 (11.00)	552.5 (21.75)	1003.3 (39.50)	736.6 (29.00)	463.6 (18.25)	927.1 (36.50)	196.9 (7.75)	38.1 (1.50)	120.7 (4.75)	4	113.4 (250)	AMH8	AJBEW183608
596.9 (23.50)	1060.5 (41.75)	363.5 (14.31)	279.4 (11.00)	552.5 (21.75)	1003.3 (39.50)	736.6 (29.00)	463.6 (18.25)	927.1 (36.50)	247.7 (9.75)	38.1 (1.50)	139.7 (5.50)	4	122.5 (270)	AMH8	AJBEW183610
606.6 (23.88)	1216.2 (47.88)	301.8 (11.88)	406.4 (16.00)	584.2 (23.00)	1152.7 (45.38)	974.9 (38.38)	473.2 (18.63)	1073.2 (42.25)	177.8 (7.00)	38.1 (1.50)	127.0 (5.00)	4	140.6 (310)	AMH8	AJBEW184207
635.0 (25.00)	1651.0 (65.00)	323.9 (12.75)	N/A	596.9 (23.50)	N/A	1270.0 (50.00)	508.0 (20.00)	1524.0 (60.00)	174.8 (6.88)	38.1 (1.50)	120.7 (4.75)	4	236.3 (521)	AMH5	AJBEW206008
746.3 (29.38)	746.3 (29.38)	312.7 (12.31)	466.9 (18.38)	711.2 (28.00)	711.2 (28.00)	466.9 (18.38)	622.3 (24.50)	622.3 (24.50)	196.9 (7.75)	38.1 (1.50)	127.0 (5.00)	4	102.1 (225)	AMH8	AJBEW242408
746.3 (29.38)	746.3 (29.38)	363.5 (14.31)	466.9 (18.38)	711.2 (28.00)	711.2 (28.00)	466.9 (18.38)	622.3 (24.50)	622.3 (24.50)	247.7 (9.75)	38.1 (1.50)	155.7 (6.13)	4	108.9 (240)	AMH8	AJBEW242410
736.6 (29.00)	889.0 (35.00)	330.2 (13.00)	457.2 (18.00)	711.2 (28.00)	863.6 (34.00)	584.2 (23.00)	609.6 (24.00)	762.0 (30.00)	203.2 (8.00)	49.3 (1.94)	133.4 (5.25)	4	190.5 (420)	AMH8	AJBEW243008
781.1 (30.75)	1092.2 (43.00)	331.7 (13.06)	463.6 (18.25)	711.2 (28.00)	1016.0 (40.00)	736.6 (29.00)	616.0 (24.25)	920.8 (36.25)	196.9 (7.75)	41.4 (1.63)	130.3 (5.13)	4	190.5 (420)	AMH5	AJBEW243608
781.1 (30.75)	1092.2 (43.00)	382.5 (15.06)	463.6 (18.25)	711.2 (28.00)	1016.0 (40.00)	736.6 (29.00)	616.0 (24.25)	920.8 (36.25)	247.7 (9.75)	41.4 (1.63)	152.4 (6.00)	4	204.1 (450)	AMH5	AJBEW243610
914.4 (36.00)	1117.6 (44.00)	349.3 (13.75)	N/A	889.0 (35.00)	N/A	736.6 (29.00)	762.0 (30.00)	965.2 (38.00)	196.9 (7.75)	50.8 (2.00)	155.7 (6.13)	4	272.2 (600)	AMH6	AJBEW303808
914.4 (36.00)	1117.6 (44.00)	509.5 (20.06)	N/A	889.0 (35.00)	N/A	736.6 (29.00)	762.0 (30.00)	965.2 (38.00)	196.9 (7.75)	196.9 (7.75)	155.7 (6.13)	4	362.9 (800)	AMH6	AJBEW303816 ^①

^① Cast Junction Box does not have ATEX/IECEX certification.

\diamond For Groups B and C, all conduits must be sealed within 50.8 mm (2") of the enclosure.

AJBEW Cast Junction Box Options and Accessories

Explosionproof, Dust-Ignitionproof

NEC/CEC:

Class I, Division 1 and 2, Groups B \diamond , C \diamond , D
 Class I, Zone 1 and 2, Groups IIA, IIB \diamond +H \diamond ₂ \diamond
 Class II, Division 1 and 2, Groups E, F, G
 Class III
 IP66

NEC/CEC:

NEMA 4, 7B \diamond C \diamond D, 9EFG

ATEX/IECEX:

Zone 1 and 2 - 21 and 22
 II 2 GD
 IP66 - IK10

Options

Factory-Installed Suffix	Field-Installed Catalog Number	Description
AB	Not Available	Set of 4 standoffs 12.7 mm (0.50") high
BR	BRTB4X	Breather, NEMA 4X (includes outlets and installation)
DN	ECD50B4X	Drain, NEMA 4X (includes outlets and installation)
DP1	AWG13/1CT	Desiccate package
EGS	EGSKIT	External grounding stud 3/8"-16
G1	Not Available	Gray powder coat epoxy (outside)
G2	Not Available	Gray powder coat epoxy (inside and outside)
GNDKIT		Internal Ground Stud, #14 - #2
H		Hinges stainless steel
	AHOF12SS	Hinge Kit, 2 light duty SS hinges
	AHOF22SS	Hinge Kit, 2 heavy duty SS hinges
	AHOF23SS	Hinge Kit, 3 heavy duty SS hinges
K	Not Available	Terminal blocks 600 Volt, 30 Amp <i>Indicate number of points: example: 5 points = 5K</i>
NP	Not Available	Plastic nameplate, 50.8 x 101.6 mm (2.00 x 4.00"), 3.3 mm (13") black letters on white surface, 3 lines max, specify legend.
Q	Not Available	SS captive Quad-Lead bolts
X	Not Available	ATEX Certification
XU	Not Available	ATEX Component Certification
Z	See table on following page	Mounting pan

Drill and Tap Options

(For drill and tap schedule, Drilling and Tapping Guidelines)

Symbol	Conduit Size (NPT) Inches	Symbol	Conduit Size (NPT) Inches
A	1/2	F	2
B	3/4	G	2-1/2
C	1	H	3
D	1-1/4	J	3-1/2
E	1-1/2	K	4

Blind Tapped Holes	
Suffix	Screw Size
BT1	#6 - 1/4"
BT2	5/16" - 1/2"

Mounting Hardware

Refer to ordering information for Enclosure-Mounting Hardware Correlation.

Factory-Installed Suffix	Field-Installed Catalog Number	Description
MH1	AMH1	1/4" - 20 x 1-1/4" Bolt, 1/4" - 20 Hex Nut, 1/4" Washers
MH2	AMH2	3/8" -16 x 1-1/4" Bolt, 3/8" -16 Hex Nut, 3/8" Washers
MH3	AMH3	7/16" - 14 x 1-3/4" Bolt, 7/16" - 14 Hex Nut, 7/16" Washers
MH4	AMH4	1/2" - 13 x 1-3/4" Bolt, 1/2" - 13 Hex Nut, 1/2" Washers
MH5	AMH5	1/2" - 13 x 2" Bolt, 1/2" - 13 Hex Nut, 1/2" Washers
MH6	AMH6	5/8" - 11 x 2" Bolt, 5/8" - 11 Hex Nut, 5/8" Washers
MH7	AMH7	1/2" - 13 x 1-1/4" Bolt, 1/2" - 13 Hex Nut, 1/2" Washers
MH8	AMH8	5/8" - 11 x 1-1/4" Bolt, 5/8" - 11 Hex Nut, 5/8" Washers

\diamond For Groups B and C, all conduits must be sealed within 50.8 mm (2") of the enclosure.

AJBEW Cast Junction Box Options and Accessories

Explosionproof, Dust-Ignitionproof

NEC/CEC:

Class I, Division 1 and 2, Groups B \diamond , C \diamond , D
 Class I, Zone 1 and 2, Groups IIA, IIB \diamond +H \diamond \diamond
 Class II, Division 1 and 2, Groups E, F, G
 Class III
 IP66

NEC/CEC:

NEMA 4, 7B \diamond C \diamond D, 9EFG

ATEX/IECEX:

Zone 1 and 2 – 21 and 22
 Ex II 2 GD
 IP66 – IK10

Mounting Pans

Mounting Pan Catalog Number	Junction Box Catalog Number	Overall Dimensions in Millimeters (Inches)	
		W	H
AZ-464	AJBEW040604	76.2 (3.00)	127.0 (5.00)
AZ-664	AJBEW060604	120.7 (4.75)	120.7 (4.75)
AZ-686	AJBEW060806	114.3 (4.50)	165.1 (6.50)
AZ-593	AJBEW050903	101.6 (4.00)	215.9 (8.50)
AZ-684	AJBEW060804	114.3 (4.50)	165.1 (6.50)
AZ-6104	AJBEW061004	127.0 (5.00)	266.7 (10.50)
AZ-6124	AJBEW061204	139.7 (5.50)	279.4 (11.00)
AZ-6164	AJBEW061604	133.4 (5.25)	381.0 (15.00)
AZ-7116	AJBEW071106	165.1 (6.50)	254.0 (10.00)
AZ-886	AJBEW080806	165.1 (6.50)	165.1 (6.50)
AZ-8106	AJBEW081006	165.1 (6.50)	215.9 (8.50)
AZ-8137	AJBEW081307	152.4 (6.00)	279.4 (11.00)
AZ-9115	AJBEW091105	209.6 (8.25)	254.0 (10.00)
AZ-9154	AJBEW091504	206.5 (8.13)	374.7 (14.75)
AZ-10104/6	AJBEW101006	190.5 (7.50)	190.5 (7.50)
AZ-10146/8	AJBEW101408	228.6 (9.00)	330.2 (13.00)
AZ-10146/8	AJBEW101408	228.6 (9.00)	330.2 (13.00)
AZ-11205	AJBEW112005	266.7 (10.50)	482.6 (19.00)
AZ-11246	AJBEW112406	251.0 (9.88)	590.6 (23.25)
AZ-11306	AJBEW113006	251.0 (9.88)	723.9 (28.50)
AZ-12126/8	AJBEW121206	266.7 (10.50)	266.7 (10.50)
AZ-12126/8	AJBEW121208	266.7 (10.50)	266.7 (10.50)
AZ-12186/8	AJBEW121806	266.7 (10.50)	419.1 (16.50)
AZ-12186/8	AJBEW121808	266.7 (10.50)	419.1 (16.50)
AZ-12248/10	AJBEW122408	273.1 (10.75)	574.8 (22.63)
AZ-12368	AJBEW123608	254.0 (10.00)	863.6 (34.00)
AZ-13386	AJBEW133806	292.1 (11.50)	924.1 (36.38)

Mounting Pan Catalog Number	Junction Box Catalog Number	Overall Dimensions in Millimeters (Inches)	
		W	H
AZ-14146/8	AJBEW141406	311.2 (12.25)	311.2 (12.25)
AZ-14146/8	AJBEW141408	311.2 (12.25)	311.2 (12.25)
AZ-14248	AJBEW142408	355.6 (14.00)	568.5 (22.38)
AZ-15377	AJBEW153707	368.3 (14.50)	901.7 (35.50)
AZ-16166/8	AJBEW161606	381.0 (15.00)	381.0 (15.00)
AZ-16166/8	AJBEW161608	381.0 (15.00)	381.0 (15.00)
AZ-161812	AJBEW161812	381.0 (15.00)	406.4 (16.00)
AZ-16226	AJBEW162206	355.6 (14.00)	508.0 (20.00)
AZ-16248	AJBEW162408	374.7 (14.75)	577.9 (22.75)
AZ-16286	AJBEW162806	355.6 (14.00)	660.4 (26.00)
AZ-18186/8	AJBEW181806	406.4 (16.00)	406.4 (16.00)
AZ-18186/8	AJBEW181808	406.4 (16.00)	406.4 (16.00)
AZ-18248/10	AJBEW182408	406.4 (16.00)	558.8 (22.00)
AZ-18248/10	AJBEW182410	406.4 (16.00)	558.8 (22.00)
AZ-18308	AJBEW183008	406.4 (16.00)	711.2 (28.00)
AZ-18368/10	AJBEW183608	431.8 (17.00)	882.7 (34.75)
AZ-18368/10	AJBEW183610	431.8 (17.00)	882.7 (34.75)
AZ-18427	AJBEW184207	431.8 (17.00)	1016.0 (40.00)
AZ-205610	AJBEW205610	431.8 (17.00)	1371.6 (54.00)
AZ-20608	AJBEW206008	457.2 (18.00)	1460.5 (57.50)
AZ-24248/10	AJBEW242408	558.8 (22.00)	558.8 (22.00)
AZ-24248/10	AJBEW242410	558.8 (22.00)	558.8 (22.00)
AZ-24308	AJBEW243008	571.5 (22.50)	711.2 (28.00)
AZ-24368/10	AJBEW243608	558.8 (22.00)	863.6 (34.00)
AZ-24368/10	AJBEW243610	558.8 (22.00)	863.6 (34.00)
AZ-30388	AJBEW303808	711.2 (28.00)	914.4 (36.00)
AZ-30388	AJBEW303816	711.2 (28.00)	914.4 (36.00)

\diamond For Groups B and C, all conduits must be sealed within 50.8 mm (2") of the enclosure.

AJBEW Cast Junction Box Drilling and Tapping Guidelines

Explosionproof, Dust-Ignitionproof

NEC/CEC:

Class I, Division 1 and 2, Groups B₀, C₀, D
 Class I, Zone 1 and 2, Groups IIA, IIB₀+H₂₀
 Class II, Division 1 and 2, Groups E, F, G
 Class III
 IP66

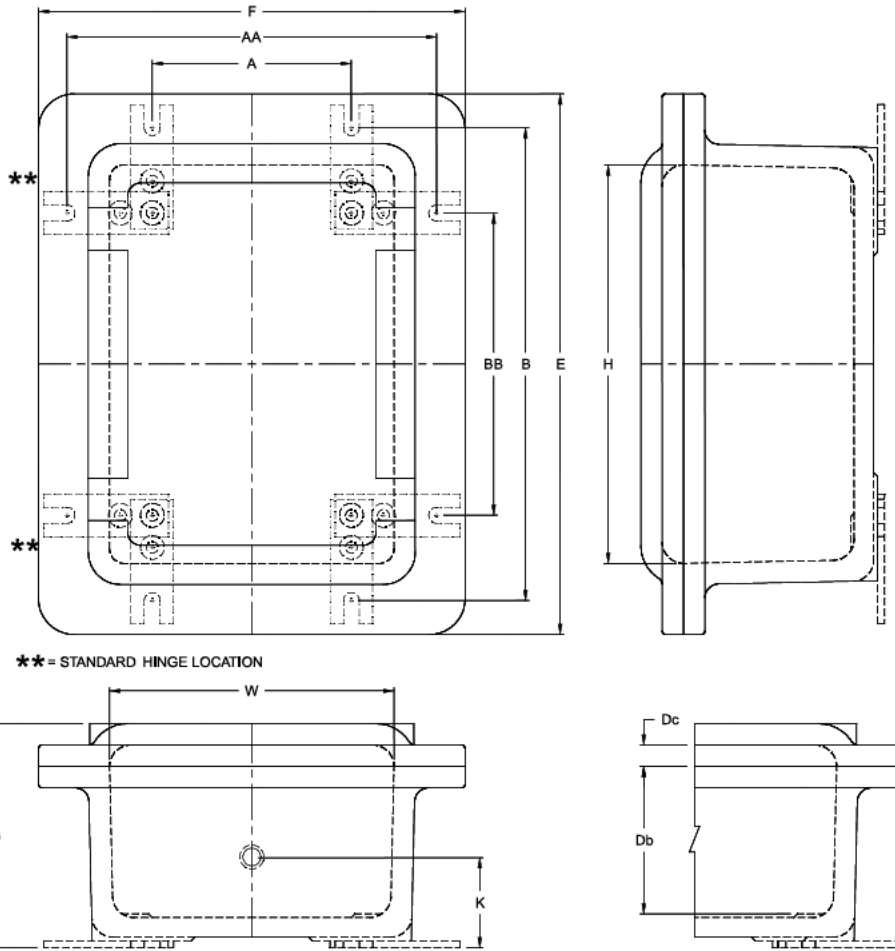
NEC/CEC:

NEMA 4, 7B₀C₀D, 9EFG

ATEX/IECEX:

Zone 1 and 2 – 21 and 22
 II 2 GD
 IP66 – IK10

Dimensions — See Catalog Number Tables



Drilling and Tapping Guidelines

Conduit Size (NPT)	Minimum Spacing For Conduit Centers in Millimeters (Inches)									
	1/2	3/4	1	1-1/4	1-1/2	2	2-1/2	3	3-1/2	4
1/2	54.1 (2.13)	54.1 (2.13)	57.2 (2.25)	66.8 (2.63)	71.4 (2.81)	79.5 (3.13)	92.2 (3.63)	101.6 (4.00)	114.3 (4.50)	114.3 (4.50)
3/4	54.1 (2.13)	54.1 (2.13)	57.2 (2.25)	66.8 (2.63)	71.4 (2.81)	79.5 (3.13)	92.2 (3.63)	101.6 (4.00)	114.3 (4.50)	114.3 (4.50)
1	57.2 (2.25)	57.2 (2.25)	60.5 (2.38)	71.4 (2.81)	76.2 (3.00)	82.6 (3.25)	95.3 (3.75)	104.9 (4.13)	114.3 (4.50)	117.6 (4.63)
1-1/4	66.8 (2.63)	66.8 (2.63)	71.4 (2.81)	79.5 (3.13)	84.1 (3.31)	92.2 (3.63)	104.9 (4.13)	114.3 (4.50)	120.7 (4.75)	127.0 (5.00)
1-1/2	71.4 (2.81)	71.4 (2.81)	76.2 (3.00)	84.1 (3.31)	88.9 (3.50)	96.8 (3.81)	109.5 (4.31)	117.6 (4.63)	125.5 (4.94)	133.4 (5.25)
2	79.5 (3.13)	79.5 (3.13)	82.6 (3.25)	92.2 (3.63)	96.8 (3.81)	104.9 (4.13)	117.6 (4.63)	127.0 (5.00)	148.1 (5.83)	146.1 (5.75)
2-1/2	92.2 (3.63)	92.2 (3.63)	95.3 (3.75)	104.9 (4.13)	109.5 (4.31)	117.6 (4.63)	130.3 (5.13)	84.1 (3.31)	146.1 (5.75)	155.7 (6.13)
3	101.6 (4.00)	101.6 (4.00)	104.9 (4.13)	114.3 (4.50)	117.6 (4.63)	127.0 (5.00)	84.1 (3.31)	146.1 (5.75)	152.4 (6.00)	158.8 (6.25)
3-1/2	114.3 (4.50)	114.3 (4.50)	114.3 (4.50)	120.7 (4.75)	125.5 (4.94)	136.7 (5.38)	146.1 (5.75)	152.4 (6.00)	158.8 (6.25)	165.1 (6.50)
4	114.3 (4.50)	114.3 (4.50)	117.6 (4.63)	127.0 (5.00)	133.4 (5.25)	146.1 (5.75)	155.7 (6.13)	158.8 (6.25)	165.1 (6.50)	171.5 (6.75)

∅ For Groups B and C, all conduits must be sealed within 50.8 mm (2") of the enclosure.